

FRIGIDAIRE

GALLERY®



Side-by-Side Refrigerator

FGHS2655P F

26 Cu. Ft. Standard-Depth



Signature Features



Largest Crisper Drawers¹
Store more in our largest capacity crisper drawers.



SpaceWise® Organization System
Our SpaceWise® organization system makes it easy to keep food organized and easy to find when you need it.



Smudge-Proof Stainless Steel
Protective coating reduces fingerprints and smudges so it's easy to clean.



Best-in-Class Ice & Water Filtration²
PureSource Ultra® Water Filtration offers best-in-class water filtration so you get cleaner, better-tasting water at your fingertips.

Product Dimensions

Height (Including Hinges & Rollers)	69-7/8"
Width (Doors)	36"
Depth (Including Door)	33-3/8"

More Easy-To-Use Features

Quick Ice³
Quick Ice delivers up to 37 percent more ice.

Quick Freeze
Quickly freeze whatever you store to keep foods at their freshest.

PureAir Ultra® Filters
Keeps the air cleaner and fresher.

SpillSafe® Shelves
Designed to keep spills contained, making cleanup a breeze.

Express-Select® Controls
Easily select options with the touch of a button.

Energy Saver Plus Technology

Designer LED Lighting
Beautiful, ramp-up lighting keeps contents clearly visible.

ENERGY STAR®
Sabbath Mode (Star-K® Certified)



Available in:



Stainless
(F)

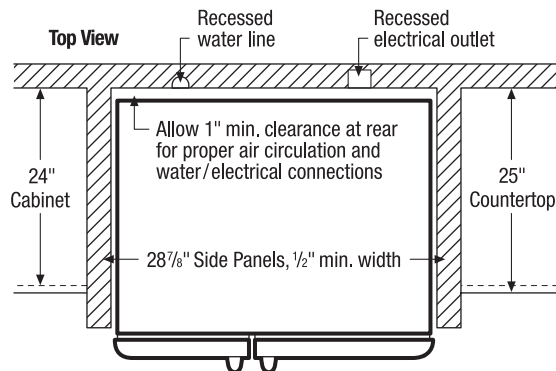
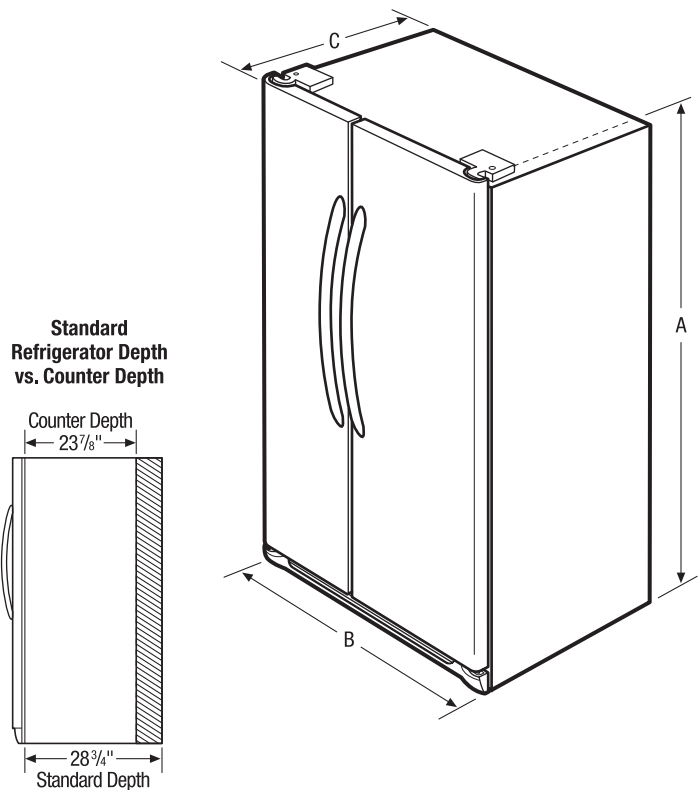
¹As compared to other side-by-side models.

²As compared to other consumer refrigeration water filtration systems.

³In a 24-hour period.

Features	
Door Design	Curved
Door Handle Design	Stainless Steel
Cabinet Finish	Grey
Door Stops/Door Closers	Yes/Yes
Door Hinge Covers	Hidden
Rollers - Front/Rear	Adjustable/Yes
Energy Saver Plus Technology	Yes
Water Filter Location	Top Right Rear
Sound Package	Quiet Pack
Dispenser	
Controls	Express-Select®
Dispenser Design	Flush, Single Paddle
Number of Dispenser Buttons	11
Crushed Ice/Cube Ice/Chilled Water	Yes/Yes/Yes
Ice Option	Quick Ice
Freeze Option	Quick Freeze
Display On/Off Option	Yes
Lock/Light	Yes/Yes
Temp/Door Ajar/Power Failure Alerts	
Water Filter Change Indicator Light	Yes
Air Filter Change Indicator Light	Yes
Refrigerator Features	
Interior Lighting	Designer LED
Water Filter Type	PureSource Ultra®
Air Filter Type	PureAir Ultra®
Fixed Shelves	1 SpillSafe®
Sliding Shelves	2 SpillSafe®
Cool Zone™ Drawer	1 Stacked
Wine/Can Rack	
Upper Crisper/Lower Crisper	1 Clear/1 Clear
Humidity Controls	2
Dairy Compartment	1 Clear
Fixed Door Bins	2 Two-Liter Clear
Adjustable Door Bins	2 One-Gallon Clear
Non-Slip Bin Liner/Bottle Retainers	
Condiment Bin	
Freezer Features	
Door Bins/Tilt-Out Wire Door Bins	4 White/No
Fixed Shelves	2 Glass
Full Extension Baskets	
Full Freezer Baskets	1 Plastic/1 Wire
Half Freezer Baskets	
Ice Cream Shelf/Pizza Shelf	Yes/Yes
SpaceSaver™ Shelf	
Lighting	LED
Certifications	
ENERGY STAR®	Yes
Sabbath Mode (Star-K® Certified)	Yes
Specifications	
Total Capacity (Cu. Ft.)	26.0
Refrigerator Capacity (Cu. Ft.)	16.5
Freezer Capacity (Cu. Ft.)	9.5
Power Supply Connection Location	Right Bottom Rear
Water Inlet Connection Location	Left Bottom Rear
Voltage Rating	120V/60Hz/15 A
Connected Load (kW Rating) @ 120 Volts¹	1.02
Amps @ 120 Volts	8.5
Minimum Circuit Required (Amps)	15
Shipping Weight (Approx.)	300 Lbs.

¹For use on adequately wired 120V, dedicated circuit having 2-wire service with a separate ground wire. Appliance must be grounded for safe operation.

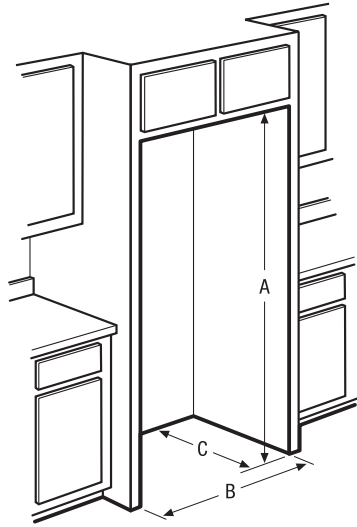


NOTE: For planning purposes only. Always consult local and national electric and plumbing codes. Refer to Product Installation Guide for detailed installation instructions on the web at frigidaire.com.



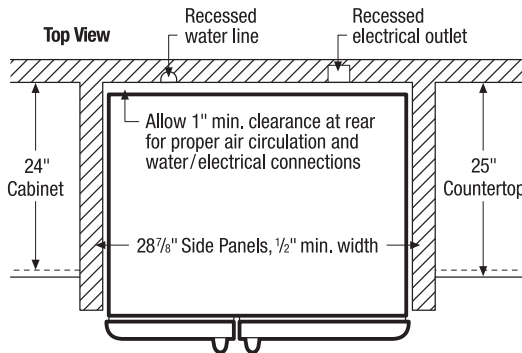
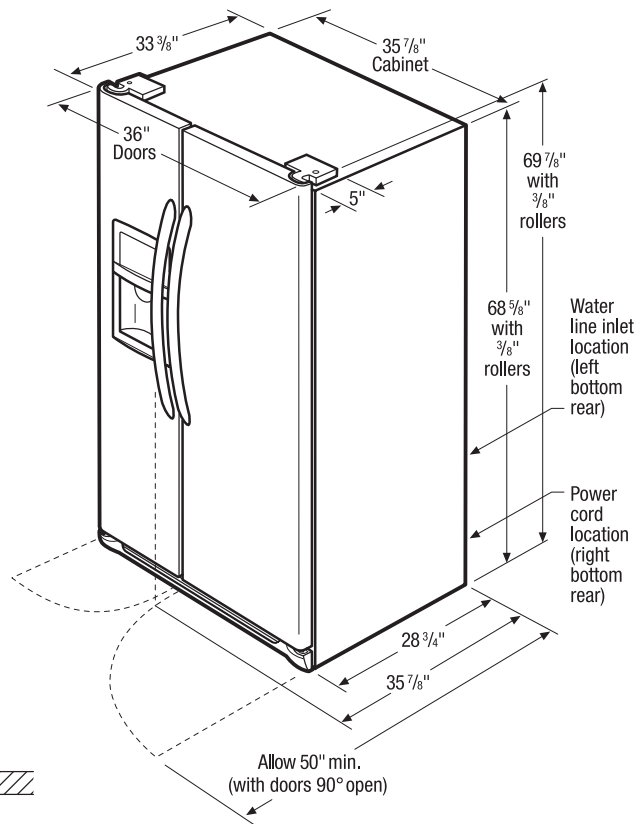
Overall Exterior Dimensions	
A - Height (Incl. Hinges & Rollers)	69-7/8"
B - Cabinet Width/Door Width	35-7/8" / 36"
C - Depth (Incl. Door)	33-3/8"
Depth with Door Open 90°	50"

Accessories information available on the web at frigidaire.com



**“Built-In Look”
Cutout Dimensions**

(A) 70 1/4" (B) 36" (C) 28 7/8"



Side-by-Side Refrigerator Specifications

- Product Shipping Weight (approx.) - 300 Lbs.
- Voltage Rating - 120V / 60 Hz / 15 Amps
- Connected Load (kW Rating) @ 120 Volts = 1.02 kW (For use on adequately wired 120V, dedicated circuit having 2-wire service with a separate ground wire. Appliance must be grounded for safe operation.)
- Amps @ 120 Volts = 8.5 Amps
- Always consult local and national electric & plumbing codes.
- Floor should be level surface of hard material, capable of supporting fully loaded refrigerator.
- When installing refrigerator adjacent to wall, cabinet or other appliance that extends beyond front edge of unit, 20" minimum clearance recommended to allow for optimum 120° to 180° door swing, providing complete drawer / crisper access and removal. (*Absolute 4-1/2" minimum clearance will ONLY allow for 90° door swing which will provide drawer / crisper access with restricted removal.*)
- To ensure optimum performance, avoid installing in direct sunlight or close proximity to range, dishwasher or other heat source.
- For proper ventilation, front grille MUST remain unobstructed.

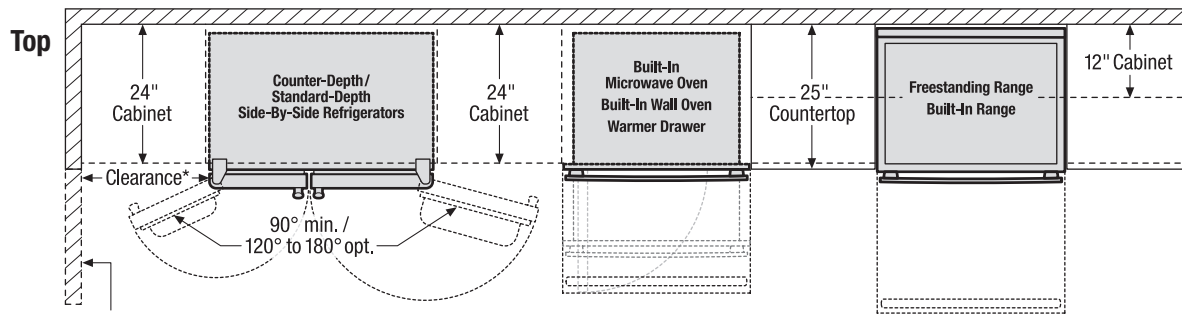
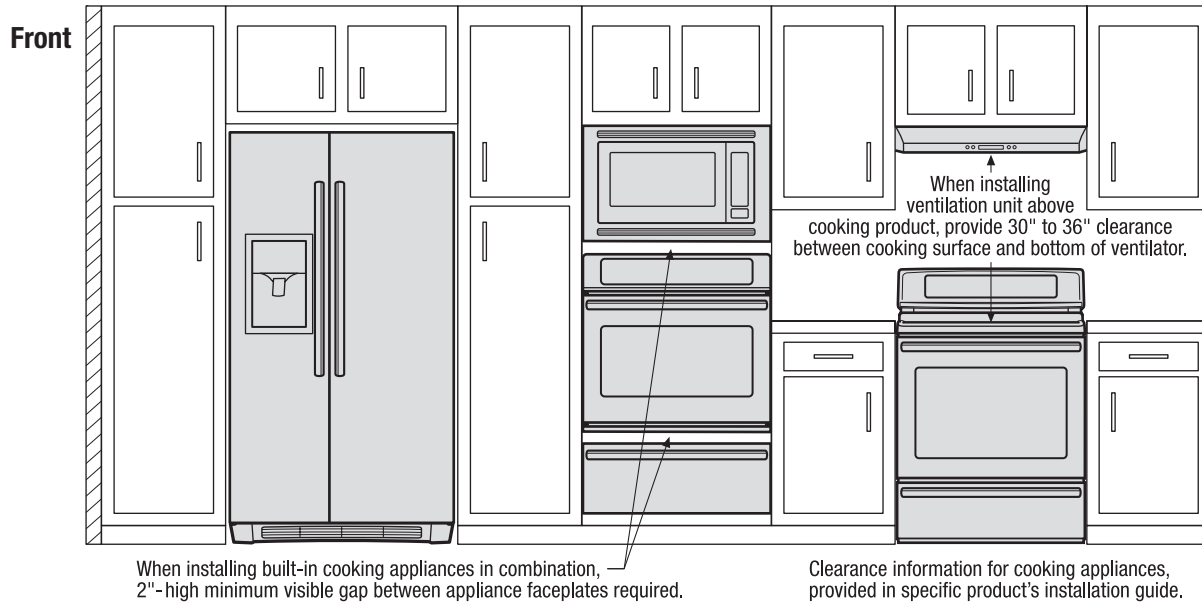
- Recess electrical outlet when possible.
- Water recess on rear wall recommended to prevent water line damage.
- Water Pressure - Cold water line must provide between 30 and 100 pounds per square inch (psi).
- Copper tubing with 1/4" O.D. recommended for water supply line with length equal to distance from rear of unit to household water supply line plus 7 additional feet. Optional Water Supply Installation Kits available.
- Adjustable front rollers to assist with door alignment.

“Built-In Look” Specifications

- Minimum opening of 70-1/4" H x 36" W x 28-7/8" D required to allow for ease of installation, proper air circulation, and plumbing / electrical connections.
- Remove all wall / floor molding prior to installation.

Note: For planning purposes only. Refer to Product Installation Guide on the web at frigidaire.com for detailed instructions.

Use these dimensions and clearance instructions for planning purposes only. For detailed installation instructions, refer to installation guide, packed with product, or on the web at frigidaire.com.



*When installing side-by-side refrigerator adjacent to wall, cabinet or another appliance that extends beyond front edge of unit, 20" minimum clearance recommended to allow for optimum 120° to 180° door swing, providing complete drawer/crisper access and removal. (Absolute 4-1/2" minimum clearance will ONLY allow for 90° door swing which will provide limited drawer/crisper access with restricted removal.)

When installing appliance with sliding drawer, swinging or drop-down door directly across from obstructions, provide sufficient clearance for drawer extension or door swings.

