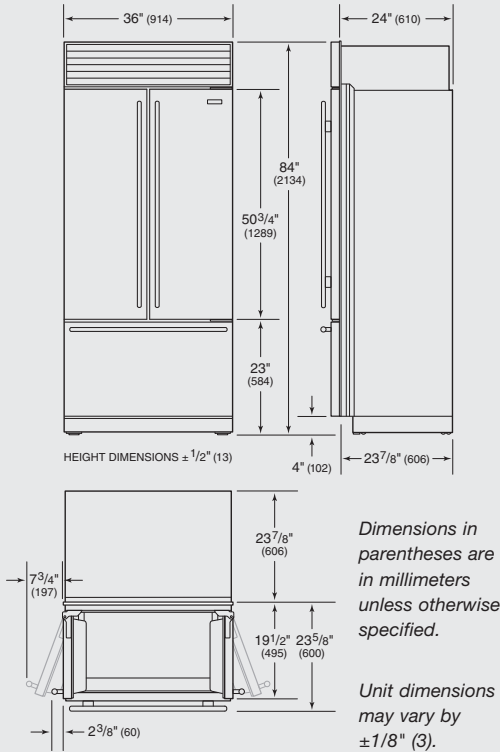




36" Built-In Over-and-Under with French Door

OVERALL DIMENSIONS



SPECIFICATIONS

Overall Dimensions	36" W x 84" H x 24" D
Drawer Clearance	Standard 23 ⁵ / ₈ " Flush Inset 21 ⁷ / ₁₆ "
Opening Width	35 ¹ / ₂ "
Flush Inset Width	38"
Opening Height	83 ³ / ₄ "
Flush Inset Height	84"
Opening Depth	24"
Flush Inset Depth	26 ³ / ₁₆ "
Electrical Requirements	115 V AC, 60 Hz 15 amp circuit
Plumbing Requirements	1/4" OD copper, braided stainless steel or PEX tubing 35–120 psi
Shipping Weight	529 lbs

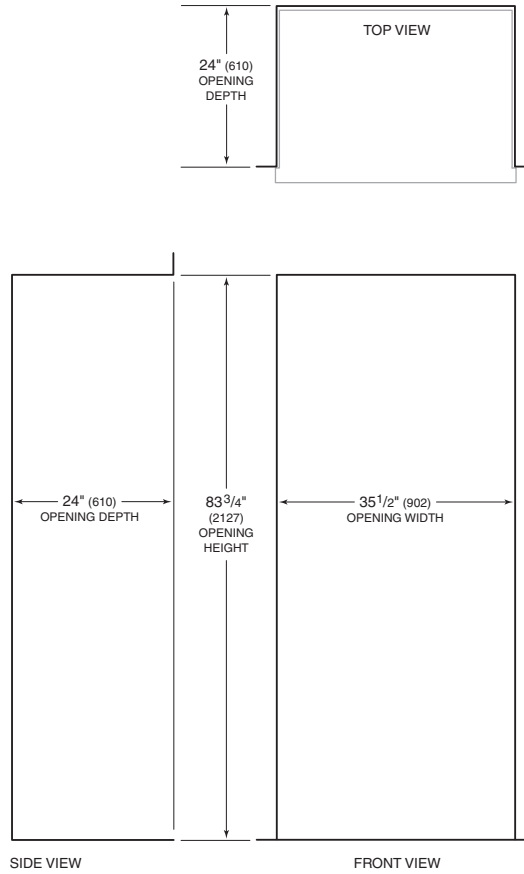
INSTALLATION NOTES

Built-In models may be used in a standard installation or in a flush inset installation which allows the unit to be flush with surrounding cabinetry.

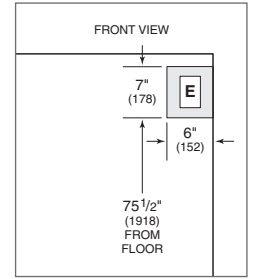
Complete installation specifications, including panel sizes, can be found on our website, subzero.com/specs.

INSTALLATION SPECIFICATIONS

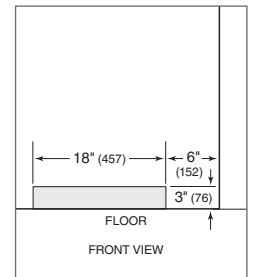
Standard Installation



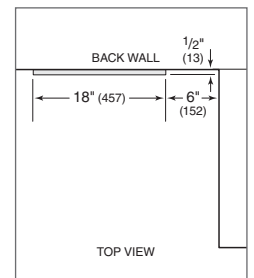
Location of Electrical Supply



Location of Water Supply—Rear

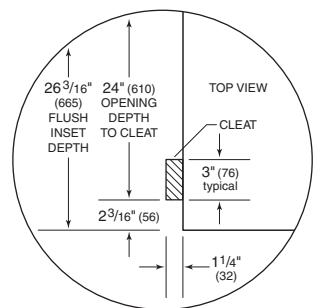
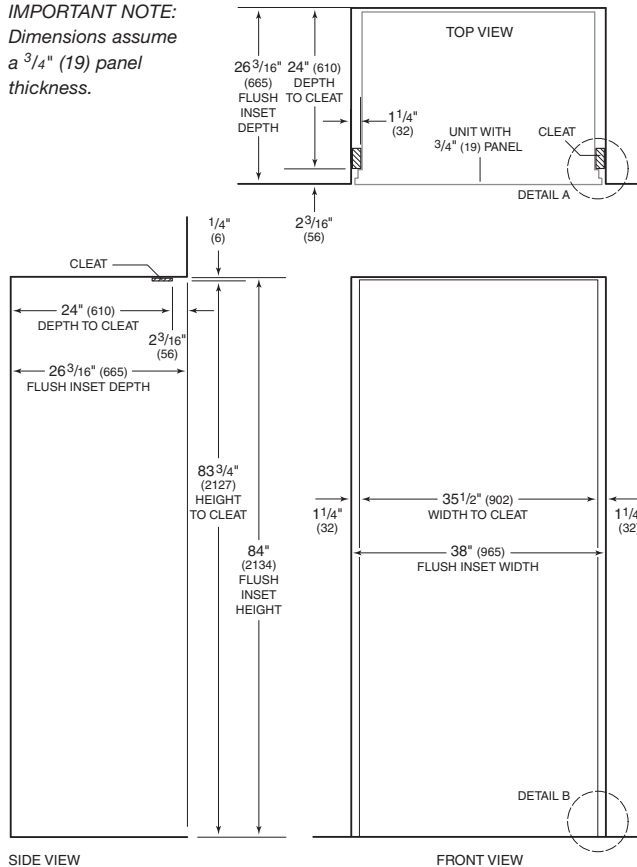


Location of Water Supply—Bottom

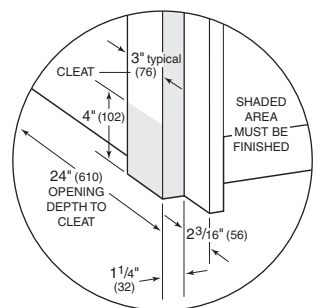


Flush Inset Installation

IMPORTANT NOTE:
Dimensions assume a 3/4" (19) panel thickness.



Detail A



Detail B