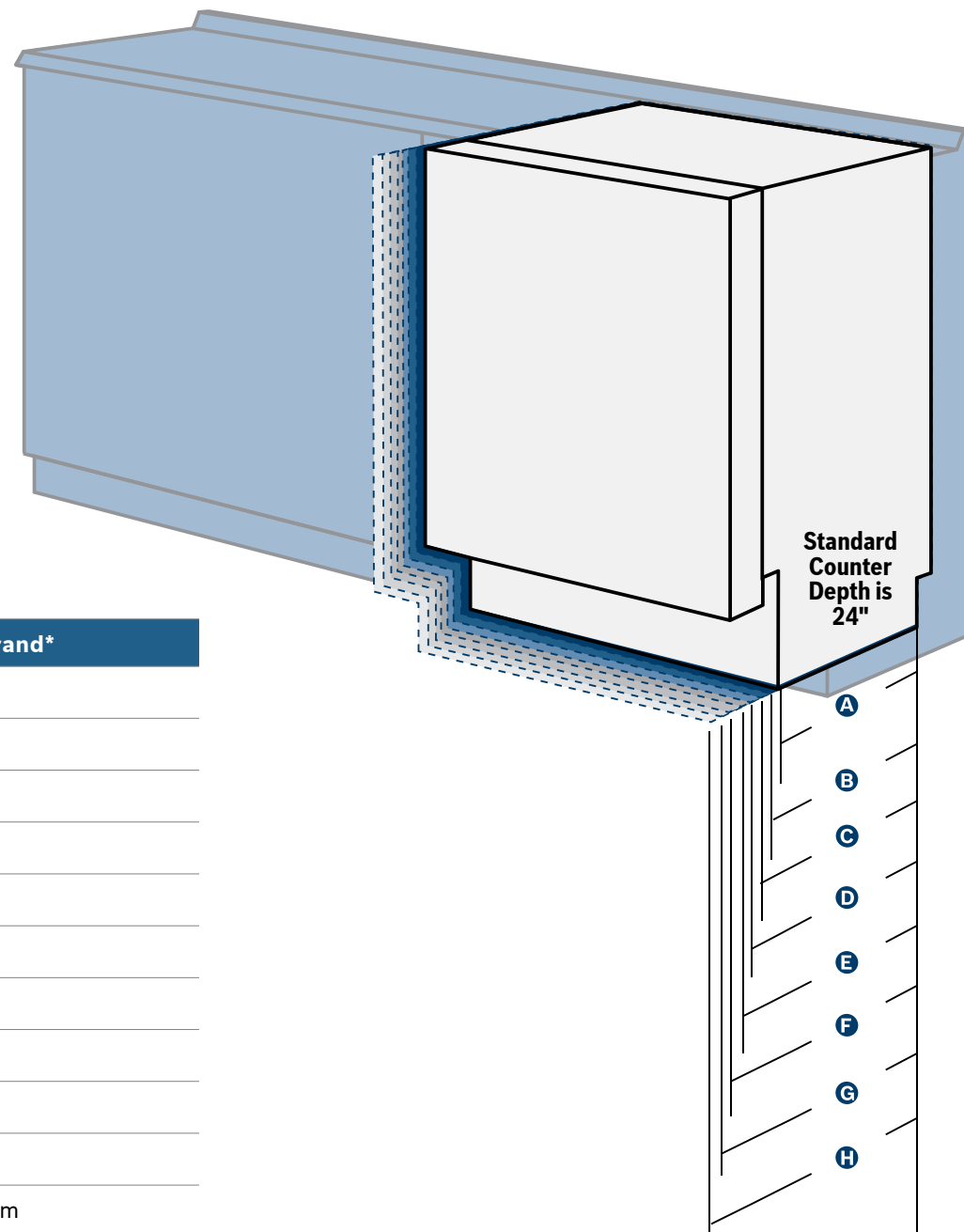


Bosch – the premier choice for custom panel.

Clean dishes, clean lines. A flush Bosch look.

Comparative Competitor Depth Chart



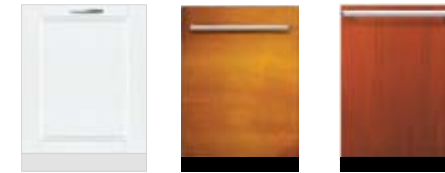
	Depth by Brand*	
A	22 ⁷ / ₁₆ "	Miele
B	22 ¹ / ₂ "	Bosch
C	22 ³ / ₄ "	Fagor
D	23 ⁵ / ₈ "	Asko
D	23 ⁵ / ₈ "	Dacor
E	23 ⁷ / ₈ "	Viking
F	24 ¹ / ₂ "	KitchenAid
F	24 ¹ / ₂ "	Kenmore
F	24 ¹ / ₂ "	Jenn-Air
G	24 ⁵ / ₈ "	Electrolux
H	24 ³ / ₄ "	GE Monogram

* Installation dimensions considering 3/4" custom door panel. Information from retailers website as of January 2011.

Central Intelligence™ System

Comparative Competitor Features Chart

Price range from \$1,449 – \$1,499



Brand	Bosch	Asko	Viking
SKU	SHV58E13UC	D5253XXLFI	DFB450
Price (Custom Panel)	\$1,449.00	\$1,449.00	\$1,499.00
dBA	45	47	N/A
Energy usage (kWh/yr)	259	257	276
Water usage (gallons)	1.56	3.8	4.47
Number of cycles	5	6	5
Number of options	3	4	4
Safety system	AquaStop Plus 24/7 Leak Protection System	AquaSafe™	Central Intelligence™ System
Closed Drying	Yes	No	No
Indicator light	Yes	Yes	Yes
Depth	22 3/8"	23 5/8"	23 3/8"
Racks	3	4	2

Price \$1,199



Brand	Bosch	Asko	KitchenAid
SKU	SHV65P03UC	D5233XXLFIENC	KUDS40FVPA
Price (custom panel)	\$1,199.00	\$1,199.00	\$1,199.00
dBA	47	49	51
Energy usage (kWh/yr)	259	259	315
Water usage	2.21	3.82	4.15
Number of cycles	6	6	4
Number of options	3	2	6
Safety system	AquaStop Plus 24/7 Leak Protection System	AquaSafe™	N/A
Closed drying	Yes	No	No
Indicator light	Yes	Yes	No
Depth	22 1/2"	23 5/8"	24 1/2"
Racks	2	2	2

Product specifications and MSRP from retailers website as of January 2011.



Planning for your Custom Panel Dishwasher

Before installing a Bosch dishwasher, be sure to verify the cabinet dimensions, electrical connections and water connections. Always consult the installation manual included with the product for complete details before installing.

What to consider when installing a custom panel dishwasher

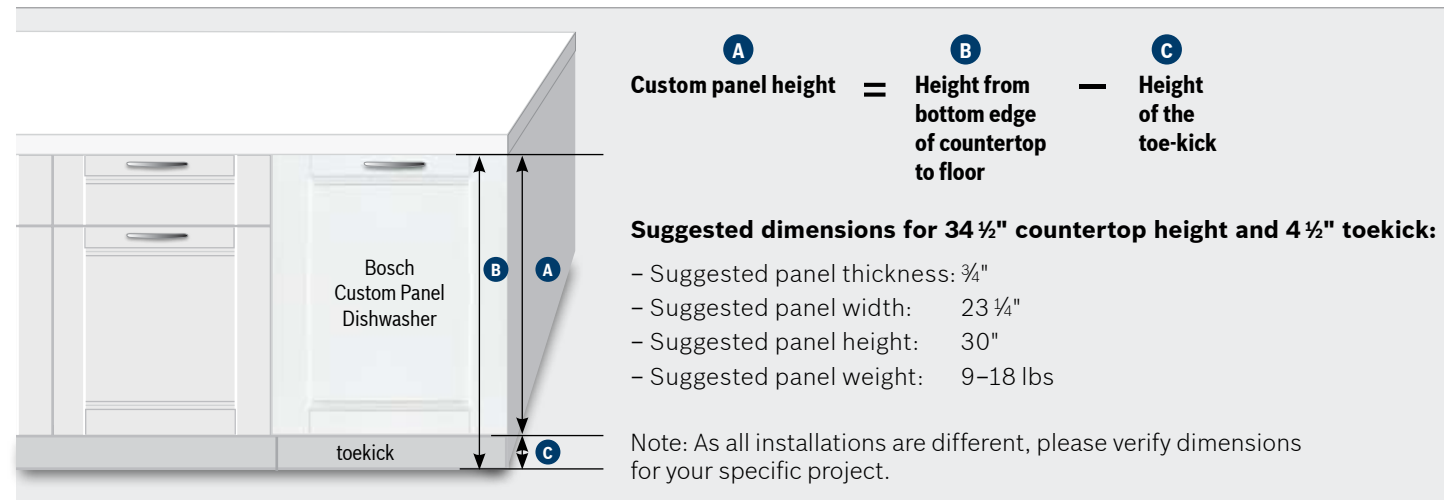
Bosch dishwashers are designed to be surrounded by standard residential kitchen cabinetry. If the dishwasher is to be installed in a corner, make sure that there is adequate clearance of 27" to open the door.

For SHV43P13UC, SHV65P03UC, and SHV68P03UC

- Minimum opening height: 34" (860 mm)
- Minimum opening width: 24" (610 mm) or 23 5/8" (600 mm) Wide with decor strips removed

For SHV58E13UC and SHV68E13UC

- Minimum opening height: 34 1/4" (865 mm)
- Minimum opening width: 24" (610 mm) or 23 5/8" (600 mm) Wide with decor strips removed



Installation options

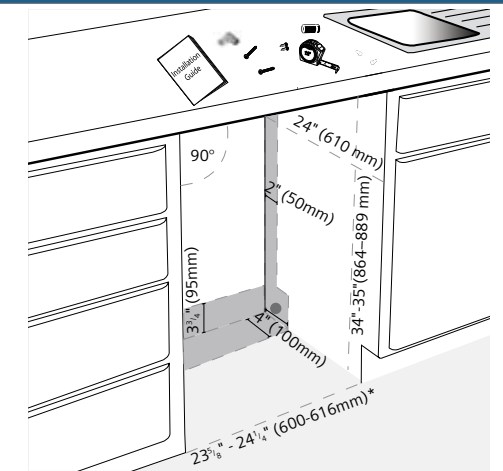
Custom panel models allow you to have a door panel made to match your cabinetry. The door panel can be a two-piece design (model 1) to look like a drawer at the top and a cabinet door at the bottom or a single full-length door (model 2). A template is included with the custom panel models to explain the mounting procedure. Additional templates can be ordered by calling customer service at 1-800-944-2904.

NOTE: The door springs that are included with the custom panel units will provide proper function for custom door panels weighing between 9 and 18 pounds. SHV43P13UC, SHV65P03UC, and SHV68P03UC allow you to adjust the screw tension to accommodate for the weight of the door panel. SHV58E13UC and SHV68E13UC require no tension adjustment screws as the hinges self adjust to weights ranging from 9 to 18 pounds.



Water and electrical locations

For proper dishwasher operation and appearance, ensure the enclosure is square and the openings allow for passage of water, drain and electrical line. Select a location as close to the sink as possible for easy access to water supply and drain lines. In order to avoid interference with the dishwasher when sliding it into the cabinet, place your openings within the dimensions shown. Plumbing and electrical supply hoses must attach to the dishwasher within the shaded area.



Note: Plumbing installations will vary – refer to local codes. The maximum length of the drain hose, including hose leading to air gap (if any) is 150" (3810 mm). Ensure a portion of the drain hose is raised at least 20" (508 mm) above the floor to ensure proper draining.

Special consideration for SHV58E13UC and SHV68E13UC

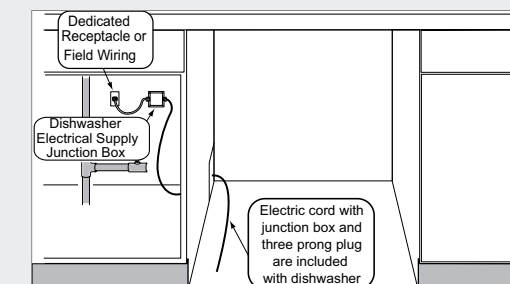
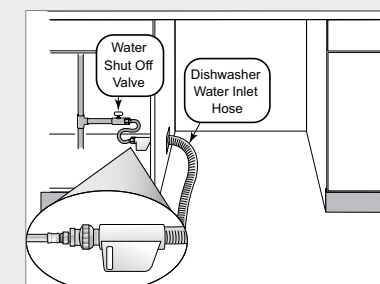
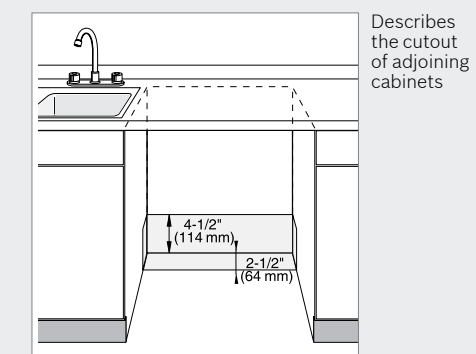
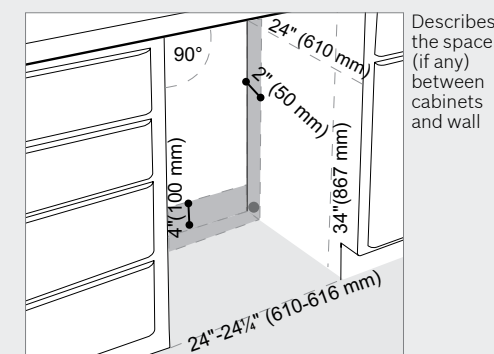
4 1/4" x 2" (108 x 52 mm) – To pass the included electrical supply junction box through to an adjacent cabinet
4" x 2" (100 x 50 mm) – To pass the included water supply line to the water supply
1 1/4" (32 mm) diameter – To pass the dishwasher drain hose to the drain connection

NOTE: If the incoming electric supply, water supply and drain connections are all in the same cabinet, the one 4 1/4" x 2" (108 x 52 mm) hole will generally be large enough for all three parts to pass through.

The dishwasher electrical supply junction box and dedicated receptacle must be mounted in an accessible cabinet adjacent to the dishwasher (do not mount the junction box or receptacle behind the dishwasher).

The electrical supply can be connected in one of two ways:

1. Use the included three prong plug and junction box to connect to a dedicated household receptacle.
2. Permanently connect to household or field wiring



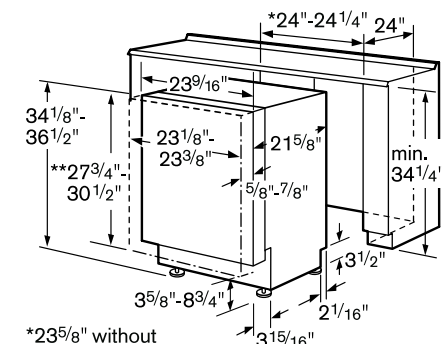
800 Plus Series Custom Panel Dishwasher

Model shown: SHV68E13UC



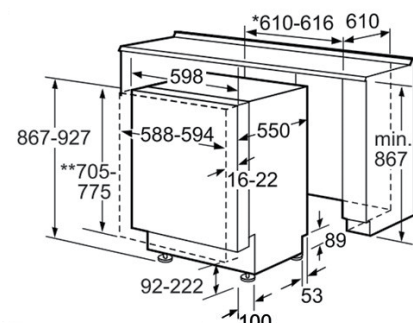
Dishwasher dimensions

Measurements in inches



*23 5/8" without decor strips.
 **Measured from the lower edge of the worktop. Recommended panel thickness 3/4". Panel weight 9-18 lb.

Measurements in mm



*600 mm without decor strips.
 **Measured from the lower edge of the worktop. Recommended panel thickness = 19 mm. Panel weight 4-8 kg.

SHV68E13UC	
Appearance	– Stainless Steel TallTub – Six Wash Cycles and Five Options
Quietness	– Virtually Silent: 40 dBA – Quietest Dishwasher in the U.S. – InfoLight® Cycle Indicator LED – Solid Base Contains Sound & Prevents Leaks
Efficiency	– 180 kWh/yr–ENERGY STAR® Qualified – Uses only 1.56 gallons of Water per Load – Exceeds ENERGY STAR Requirements by 86% for Energy and 269% for Water – Most Efficient Dishwasher in the U.S. – EcoAction® Option – Bosch Exclusive – EcoSense™ Reduces Energy Usage up to 20% – Half-load Option for Small Loads
Safety	– AquaStop® Plus Four-part 24/7 Leak Protection – Sanitize Option Removes Bacteria & Enhances Drying
Capacity	– 15 Place Setting Capacity – Third Rack for Additional Loading Capacity – VarioFlex™ Plus Racks for Flexible Loading – RackMatic® Plus Allows Three Loading Levels – Extra Tall Item Sprinkler Cleans Items 22" Tall
Performance	– Water Softener Ensures Perfect Cleaning – ActiveTab® Tray Optimizes Detergent Dissolving – Variable Spray Pressure – Load Size Sensor Automates Wash Cycle
Convenience	– Multi-Function LED with Remaining Time – 24 Hour Delay Start Timer – Quick Wash–In 30 Minutes or Less

Specifications	
Product Width	23 9/16"
Product Height	34 1/8"–36 1/2"
Product Depth	21 5/8"
Door Clearance	27"
Cutout Width (Min.)	24"–24 1/4"
Cutout Height (Min.)	34 1/4"
Cutout Depth (Min.)	24"
Variable Height	1 3/8"
Total Amps	12
Electrical Supply	120 V/60 Hz
Required Circuit Breaker	15 Amp
Power Cord	Included
Water Hose	Included
Max. Temp. for Water Intake	120° F
Length Outlet Hose	55 1/2" (extend to max of 150")
Shipping Weight (lbs.)	125

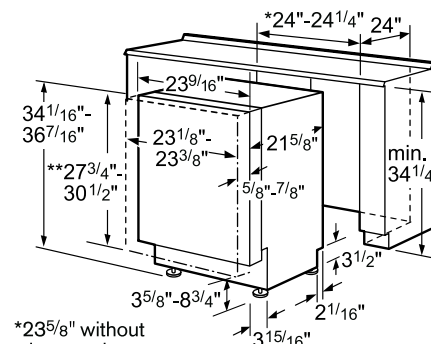
800 Plus Series Custom Panel Dishwasher

Model shown: SHV58E13UC



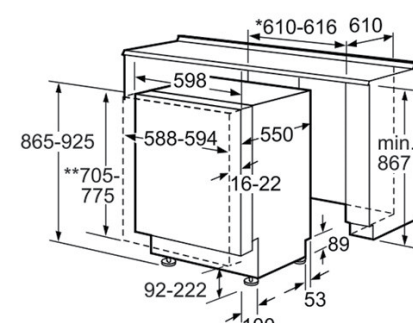
Dishwasher dimensions

Measurements in inches



*23 5/8" without decor strips.
 **Measured from the lower edge of the worktop. Recommended panel thickness 3/4". Panel weight 9-18 lb.

Measurements in mm



*600 mm without decor strips.
 **Measured from the lower edge of the worktop. Recommended panel thickness = 19 mm. Panel weight 4-8 kg.

SHV58E13UC	
Appearance	– Stainless Steel TallTub – Five Wash Cycles and Three Options
Quietness	– Virtually Silent: 45 dBA – InfoLight® Cycle Indicator LED – Solid Base Contains Sound & Prevents Leaks
Efficiency	– 259 kWh/yr–ENERGY STAR® Qualified – Uses only 1.56 gallons of water per load – Exceeds ENERGY STAR Requirements by 26% for Energy and 269% for Water – EcoAction® Option–Bosch Exclusive – EcoSense™ Reduces Energy Usage up to 20% – Half-load Option for Small Loads
Safety	– AquaStop® Plus Four-part 24/7 Leak Protection
Capacity	– 15 Place Setting Capacity – Third Rack for Additional Loading Capacity – VarioFlex™ Racks for Flexible Loading – RackMatic® Plus Allows Three Loading Levels – Extra Tall Item Sprinkler Cleans Items 22" Tall
Performance	– Water Softener Ensures Perfect Cleaning – ActiveTab® Tray Optimizes Detergent Dissolving – Variable Spray Pressure
Convenience	– Multi-Function LED with Remaining Time – 24 Hour Delay Start Timer – Quick Wash–In 30 Minutes or Less

Specifications	
Product Width	23 9/16"
Product Height	34 1/8"–36 7/16"
Product Depth	21 5/8"
Door Clearance	27"
Cutout Width (Min.)	24"–24 1/4" or 23 5/8" with decor strips removed
Cutout Height (Min.)	34 1/4"
Cutout Depth (Min.)	24"
Variable Height	1 3/8"
Total Amps	12
Electrical Supply	120 V/60 Hz
Required Circuit Breaker	15 Amp
Power Cord	Included
Water Hose	Included
Max. Temp. for Water Intake	120° F
Length Outlet Hose	55" (extend to max of 150")
Shipping Weight (lbs.)	125

800 Series Custom Panel Dishwasher

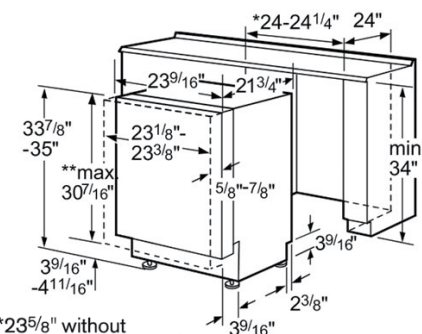
Model shown: SHV68P03UC



	SHV68P03UC
Appearance	<ul style="list-style-type: none"> - Stainless Steel TallTub - Six Wash Cycles and Three Options
Quietness	<ul style="list-style-type: none"> - Virtually Silent: 44 dBA - InfoLight® Cycle Indicator LED - Solid Base Contains Sound and Prevents Leaks
Efficiency	<ul style="list-style-type: none"> - 234 kWh/yr-ENERGY STAR® Qualified - Uses only 2.21 gallons of Water per Load - Exceeds ENERGY STAR Requirements by 39% for Energy and 162% for Water - EcoSense™ Reduces Energy Usage up to 20% - Half-load Option for Small Loads
Safety	<ul style="list-style-type: none"> - AquaStop® Leak Protection - NSF-certified-Eliminates 99.9% of Bacteria
Capacity	<ul style="list-style-type: none"> - 14 Place Setting Capacity - 800 Series Racks with Flexible Silverware Basket - RackMatic® Automatically Adjustable Upper Rack - Extra Tall Item Sprinkler Cleans Items 22" Tall
Performance	<ul style="list-style-type: none"> - Variable Spray Pressure
Convenience	<ul style="list-style-type: none"> - Multi-Function LED with Remaining Time - 19 Hour Delay Start Timer - Quick Wash-In 30 Minutes or Less

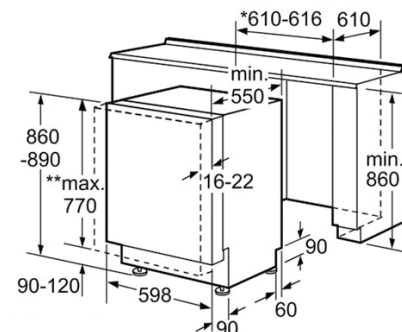
Dishwasher dimensions

Measurements in inches



*23 5/8" without decor strips.
 **Measured from the lower edge of the worktop. Recommended panel thickness 3/4". Panel weight 9-18 lb.

Measurements in mm



*600 mm without decor strips.
 **Measured from the lower edge of the worktop. Recommended panel thickness = 19 mm. Panel weight 4-8 kg.

Specifications	
Product Width	23 5/8"
Product Height	33 7/8" - 35"
Product Depth	21 3/4"
Door Clearance	27"
Cutout Width (Min.)	24" - 24 1/4" or 23 5/8" with decor strips removed
Cutout Height (Min.)	34"
Cutout Depth (Min.)	24"
Variable Height	1 1/8"
Total Amps	12
Electrical Supply	120 V/60 Hz
Required Circuit Breaker	15 Amp
Power Cord	Purchased Separately
Water Hose	Purchased Separately
Max. Temp. for Water Intake	120° F
Length Outlet Hose	150"
Shipping Weight (lbs.)	125

500 Series Custom Panel Dishwasher

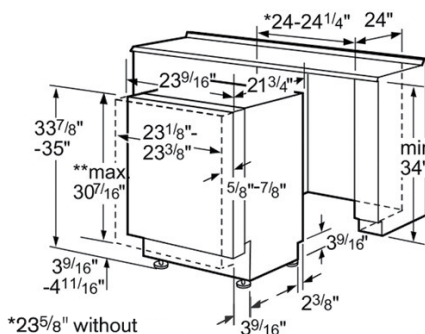
Model shown: SHV65P03UC



	SHV65P03UC
Appearance	<ul style="list-style-type: none"> - Stainless Steel TallTub - Six Wash Cycles and Three Options
Quietness	<ul style="list-style-type: none"> - Virtually Silent: 47 dBA - InfoLight® Cycle Indicator LED - Solid Base Contains Sound and Prevents Leaks
Efficiency	<ul style="list-style-type: none"> - 259 kWh/yr-ENERGY STAR® Qualified - Uses only 2.21 Gallons of Water per Load - Exceeds ENERGY STAR Requirements by 26% for Energy and 103% for Water - EcoSense™ Reduces Energy Usage up to 20% - Half-load Option for Small Loads
Safety	<ul style="list-style-type: none"> - AquaStop® Leak Protection - NSF-certified-Eliminates 99.9% of Bacteria
Capacity	<ul style="list-style-type: none"> - 14 Place Setting Capacity - 500 Series Racks with Flexible Silverware Basket - RackMatic® Automatically Adjustable Upper Rack - Extra Tall Item Sprinkler Cleans Items 22" Tall
Convenience	<ul style="list-style-type: none"> - Multi-Function LED with Remaining Time - 19 Hour Delay Start Timer - Quick Wash-In 30 Minutes or Less

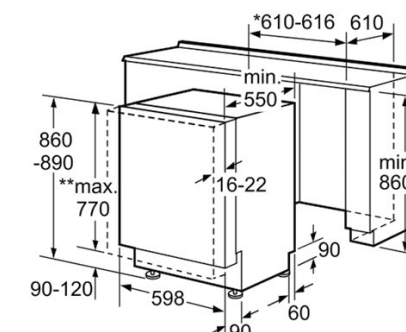
Dishwasher dimensions

Measurements in inches



*23 5/8" without decor strips.
 **Measured from the lower edge of the worktop. Recommended panel thickness 3/4". Panel weight 9-18 lb.

Measurements in mm



*600 mm without decor strips.
 **Measured from the lower edge of the worktop. Recommended panel thickness = 19 mm. Panel weight 4-8 kg.

Specifications	
Product Width	23 5/8"
Product Height	33 7/8" - 35"
Product Depth	21 3/4"
Door Clearance	27"
Cutout Width (Min.)	24" - 24 1/4" or 23 5/8" with decor strips removed
Cutout Height (Min.)	34"
Cutout Depth (Min.)	24"
Variable Height	1 1/8"
Total Amps	12
Electrical Supply	120 V/60 Hz
Required Circuit Breaker	15 Amp
Power Cord	Purchased Separately
Water Hose	Purchased Separately
Max. Temp. for Water Intake	120° F
Length Outlet Hose	150"
Shipping Weight (lbs.)	125

300 Series Custom Panel Dishwasher

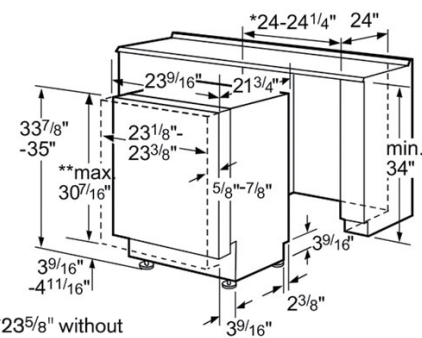
Model shown: SHV43P13UC



	SHV43P13UC
Appearance	<ul style="list-style-type: none"> - Stainless Steel TallTub - Four Wash Cycles and One Option
Quietness	<ul style="list-style-type: none"> - Virtually Silent: 50 dBA - Solid Base Contains Sound and Prevents Leaks
Efficiency	<ul style="list-style-type: none"> - 259 kWh/yr-ENERGY STAR® Qualified - Uses Only 2.86 Gallons of Water per Load - Exceeds ENERGY STAR Requirements by 26% for Energy and 103% for Water - EcoSense™ Reduces Energy Usage up to 20% - Half-load Option for Small Loads
Safety	<ul style="list-style-type: none"> - AquaStop® Leak Protection - NSF-certified-Eliminates 99.9% of Bacteria
Capacity	<ul style="list-style-type: none"> - 14 Place Setting Capacity - 300 Series Racks with Flexible Silverware Basket - Manual Height Adjustment Upper Rack
Convenience	<ul style="list-style-type: none"> - Quick Wash-In 30 Minutes or Less

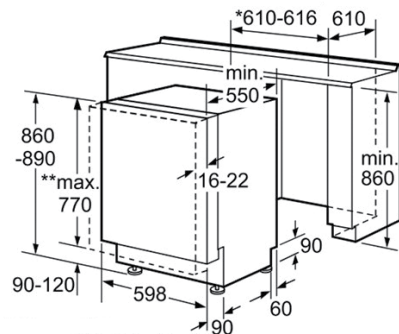
Dishwasher dimensions

Measurements in inches



*23 5/8" without decor strips.
 **Measured from the lower edge of the worktop. Recommended panel thickness 3/4". Panel weight 9-18 lb.

Measurements in mm



*600 mm without decor strips.
 **Measured from the lower edge of the worktop. Recommended panel thickness = 19 mm. Panel weight 4-8 kg.

18" Dishwashers – a convenient slim design.

18" dishwashers offer powerful dish cleaning convenience in spite of space constraints. Perfect for bars, butlers pantries or even as a second dishwasher in the kitchen.

Large capacity in a small space

Our 18" dishwashers offer large cleaning capacity in a small space. They hold nine place settings. Dishwashers can be ordered stainless or custom panel ready, and fit both U.S. and E.U. countertop and toekick heights. In addition, all of our 18" dishwashers meet ADA requirements.

